

Product Information



3478UOR160P63

EAN 4031582307108

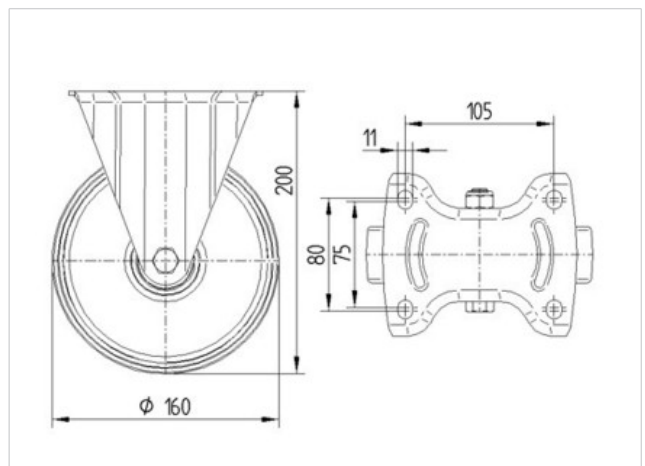
Fixed castor, Fork made of pressed steel, bright zinc plated, blue passivated, wheel axle with nut, plate fitting.

Wheel centre made of Polyamide, roller bearing

Technical Data

Wheel diameter	160 mm
Width of Tread	40 mm
Size of Plate	137 x 115 mm
Plate hole centres	105 x 80/75 mm
Plate hole	11 mm
Overall height	200 mm
Temperature	- 40 / + 80 °C
Standard	EN 12532
Weight	1.35 kg
Hardness of tread	Shore D 75
Load capacity	350 kg
Load capacity (static)	700 kg

Roll performance	+	+	+	+	+
Movement noise	+	+	+	+	+
Attrition	+	+	+	+	+
Corrosion resistance	+	+	+	+	+





3478UOR160P63

EAN 4031582307108

