

3478DVR100P62

EAN 4031582030150

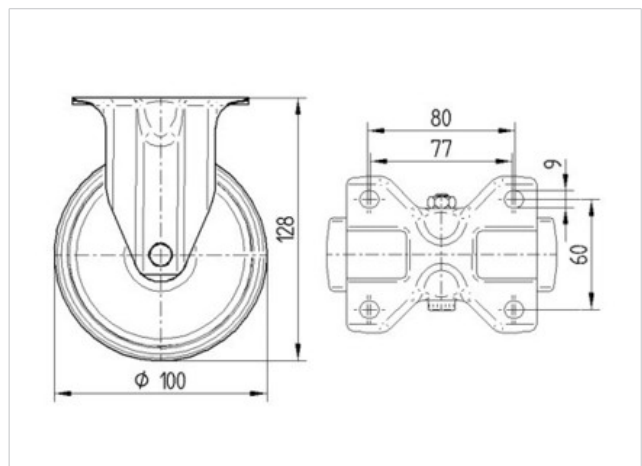
Fixed castor, Fork made of pressed steel, bright zinc plated, blue passivated, wheel axle with nut, plate fitting.

Wheel centre made of pressed steel, Tread: solid rubber, black, roller bearing

Technical Data

| | |
|------------------------|----------------|
| Wheel diameter | 100 mm |
| Width of Tread | 30 mm |
| Size of Plate | 103 x 85 mm |
| Plate hole centres | 80/77 x 60 mm |
| Plate hole | 9 mm |
| Overall height | 128 mm |
| Temperature | - 20 / + 60 °C |
| Standard | EN 12532 |
| Weight | 0.652 kg |
| Hardness of tread | Shore A 85 |
| Load capacity | 70 kg |
| Load capacity (static) | 140 kg |

| | | | | | |
|----------------------|---|---|---|---|---|
| Roll performance | + | + | + | + | + |
| Movement noise | + | + | + | + | + |
| Attrition | + | + | + | + | + |
| Corrosion resistance | + | + | + | + | + |





3478DVR100P62

EAN 4031582030150

