

Product Information



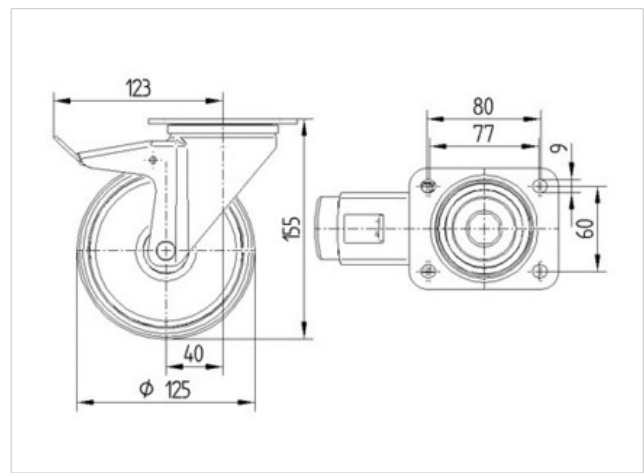
3477DVR125P62

EAN 4031582050233

Swivel castor with total lock, tail end of castor, housing made of pressed steel, bright zinc plated, blue passivated, double ball bearing swivel head, wheel axle with nut, dustguard, plate fitting. Wheel centre made of pressed steel, Tread: solid rubber, black, roller bearing



Technical Data	
Wheel diameter	125 mm
Width of Tread	37 mm
Size of Plate	105 x 85 mm
Plate hole centres	80/77 x 60 mm
Plate hole	9 mm
Offset	40 mm
Swivel Interference	246 mm
Overall height	155 mm
Temperature	- 20 / + 60 °C
Standard	EN 12532
Weight	1.377 kg
Swivel Radius	123 mm
Hardness of tread	Shore A 85
Load capacity	100 kg
Load capacity (static)	200 kg



Roll performance	+	+	+	+	+
Movement noise	+	+	+	+	+
Attrition	+	+	+	+	+
Corrosion resistance	+	+	+	+	+



3477DVR125P62

EAN 4031582050233

