

Product Information



3470UOR125P62

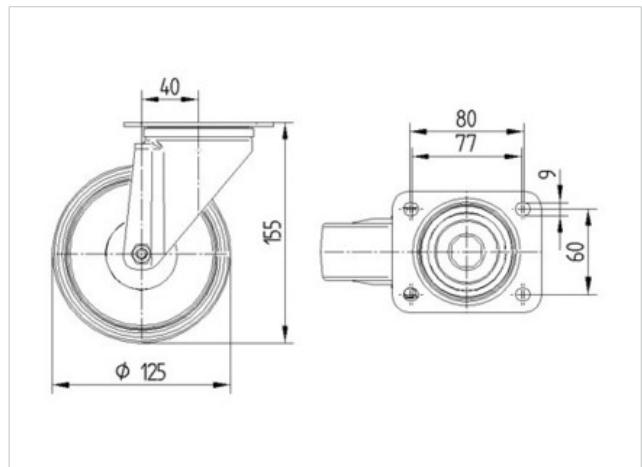
EAN 4031582010572

Swivel castor, housing made of pressed steel, bright zinc plated, blue passivated, double ball bearing swivel head, wheel axle with nut, dustguard, plate fitting. Wheel centre made of Polyamide, roller bearing

Technical Data

Wheel diameter	125 mm
Width of Tread	40 mm
Size of Plate	105 x 85 mm
Plate hole centres	80/77 x 60 mm
Plate hole	9 mm
Offset	40 mm
Swivel Interference	205 mm
Overall height	155 mm
Temperature	- 40 / + 80 °C
Standard	EN 12532
Weight	0.894 kg
Swivel Radius	102.5 mm
Hardness of tread	Shore D 75
Load capacity	250 kg
Load capacity (static)	500 kg

Roll performance	+	+	+	+	+
Movement noise	+	+	+	+	+
Attrition	+	+	+	+	+
Corrosion resistance	+	+	+	+	+



Product Information



3470UOR125P62

EAN 4031582010572

