

Product Information



3478PVO080P62

EAN 4031582306699

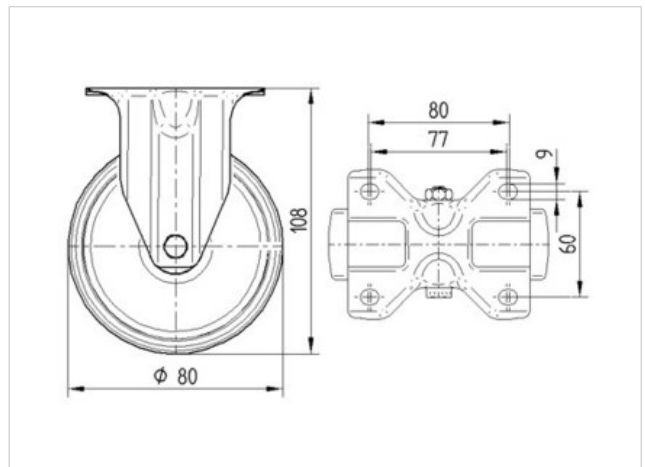
Fixed castor, Fork made of pressed steel, bright zinc plated, blue passivated, wheel axle with nut, plate fitting.

Wheel centre made of Polypropylene, Tread: solid rubber, black, plain bearing

Technical Data

Wheel diameter	80 mm
Width of Tread	35 mm
Size of Plate	103 x 85 mm
Plate hole centres	80/77 x 60 mm
Plate hole	9 mm
Overall height	108 mm
Temperature	- 20 / + 60 °C
Standard	EN 12532
Weight	0.446 kg
Hardness of tread	Shore A 85
Load capacity	70 kg
Load capacity (static)	140 kg

Roll performance	+	+	+	+	+
Movement noise	+	+	+	+	+
Attrition	+	+	+	+	+
Corrosion resistance	+	+	+	+	+





3478PVO080P62

EAN 4031582306699

