

## 3478DVR125P62

EAN 4031582030167

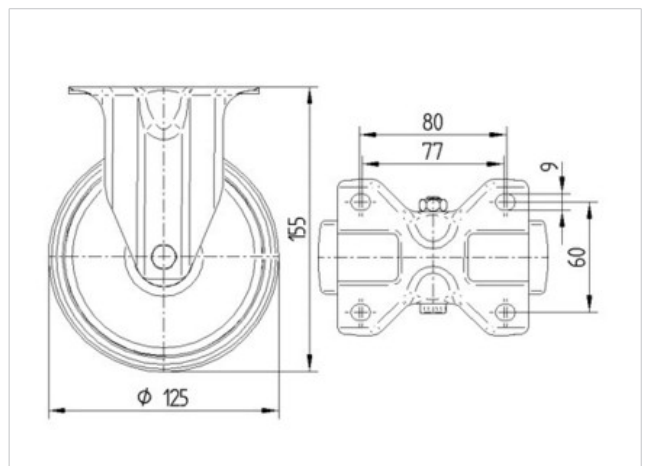
Fixed castor, Fork made of pressed steel, bright zinc plated, blue passivated, wheel axle with nut, plate fitting.

Wheel centre made of pressed steel, Tread: solid rubber, black, roller bearing

### Technical Data

Wheel diameter	125 mm
Width of Tread	24 mm
Size of Plate	103 x 85 mm
Plate hole centres	80/77 x 60 mm
Plate hole	9 mm
Overall height	155 mm
Temperature	- 20 / + 60 °C
Standard	EN 12532
Weight	0.937 kg
Hardness of tread	Shore A 85
Load capacity	100 kg
Load capacity (static)	200 kg

Roll performance	+	+	+	+	+
Movement noise	+	+	+	+	+
Attrition	+	+	+	+	+
Corrosion resistance	+	+	+	+	+





**3478DVR125P62**

EAN 4031582030167

