

Product Information



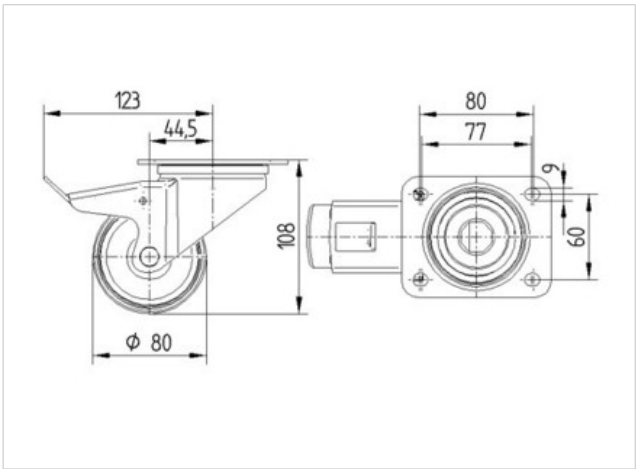
3477UOO080P62

EAN 4031582050172

Swivel castor with total lock, tail end of castor, housing made of pressed steel, bright zinc plated, blue passivated, double ball bearing swivel head, wheel axle with nut, dustguard, plate fitting. Wheel centre made of Polyamide, plain bearing

Technical Data	
Wheel diameter	80 mm
Width of Tread	34 mm
Size of Plate	105 x 85 mm
Plate hole centres	80/77 x 60 mm
Plate hole	9 mm
Offset	44.5 mm
Swivel Interference	246 mm
Overall height	108 mm
Temperature	- 40 / + 80 °C
Standard	EN 12532
Weight	0.835 kg
Swivel Radius	123 mm
Hardness of tread	Shore D 75
Load capacity	200 kg
Load capacity (static)	400 kg

Roll performance	+	+	+	+	+
Movement noise	+	+	+	+	+
Attrition	+	+	+	+	+
Corrosion resistance	+	+	+	+	+



Product Information



3477UOO080P62

EAN 4031582050172

